

Vandal & Weatherproof IR PTZ AHD Camera 2MP 10x

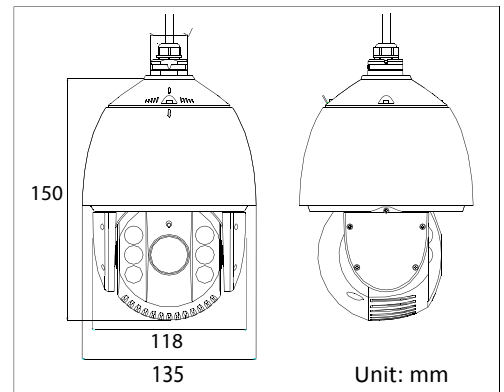


- AHD signal output transmission up to 500m
- 1/3" 2.43Megapixel SONY Exmor CMOS
- 5~50mm 10x optical zoom auto focus lens
- Mechanical IR Cut Filter (ICR), AWB/ AGC
- High Sensitivity 0Lux (With IR LED)
- Built-in 6 units infrared array LEDs for 80m range
- IP66, IK10 with Strong aluminum alloy housing

Product overview

This camera is of High definition resolution that allows recording of clear, large, good quality images for easier recognition of all security events. It supports AHD signal to be transmitted up to 500m over 1 coaxial cable to the DVRs without delay and video signal loss. It offers full HD1080P video quality, 10 times optical zoom view and day/night functions. It is built with Super Performance array IR LEDs for 80 meter IR uniform exposure without halo effect in total darkness to provide clear vision. During low-light conditions, its mechanical IR-cut filter switch feature refines image quality. The advanced 3DNR technology allows remarkable noise reduction with little impact to sharpness, especially under limited lighting condition. It has marvellous cruise settings to suit monitoring requirement. Its rugged casing with IK10-rated, is ideal to protect against vandalism, crimes, attacks or other questionable behavior because it allows you to see exactly what happened.

Dimensions



Technical Specifications

Model	LCSD -A1080		
Camera		PTZ	
Image Sensor	1/3 " 2.4 3 Mega pixels SONY CMOS	Pan/Tilt Range	Pan: 0° ~ 360° endless; Tilt: -10° ~ 90°, auto flip 180°, auto reverse
Effective Pixels	1984(H)×1225 (V)	Lens Focus	Auto / Manual / Push Auto
Video Resolution	25/30fps@1080p	Presets and speed	256, Pan: 360°/s; Tilt: 90°/s
Electronic Shutter	AUTO/ 1/50 - 1/120,000sec	Manual Control Speed	Pan: 0.1° ~360° /s; Tilt: 0.1° ~120° /s
Min. Illumination	0.01Lux@F1.2(AGC ON), 0Lux IR on	Patrol track	4groups, each can record 200 actions
System	PAL/NTSC	Cruise track	Total 30 presets can join cruise
Video Output	1-channel BNC, AHD	Other scan	Horizontal scan, deuce area scan, scan random
Day/Night	Support day -night switc h (ICR)	Auto Scan	8 lines
WDR	Super WDR	Pattern Scan	4 lines
White Balance	Auto	RS485 Control	Support Pelco -P, Pelco -D
BLC/HLC	On / Off	General	
DNR	2D/3D DNR	Power Supply	12 VDC ± 10%
IR Led		Power Consumption	<30W
IR Led	6 pcs 850nm IR Array Leds	lightning protection	Three level, 4000V
IR Distance	80 Meters	Operating Temp.	-30 °C ~ (+55) °C , 10% -90 %
Lens		Waterproof level	IP66
Focal length	5~50 , 10x optical zoom	Weight	3.5KG
View Angle	H: 52.7 ° ~ 5.7 °, V: 39.6 ° ~ 4.3 °	Dimension	150(H)×135(L)×118(W)mm